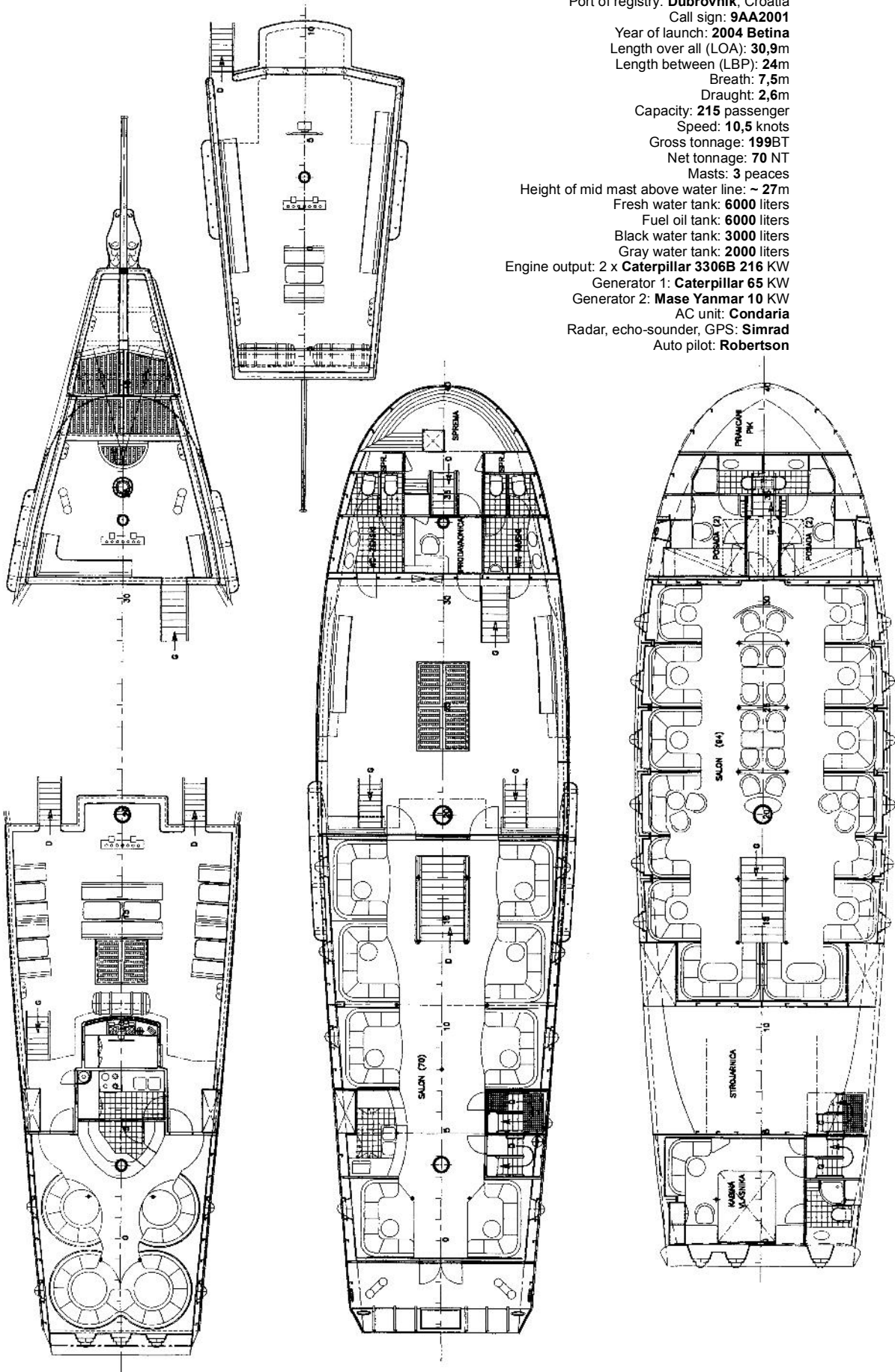


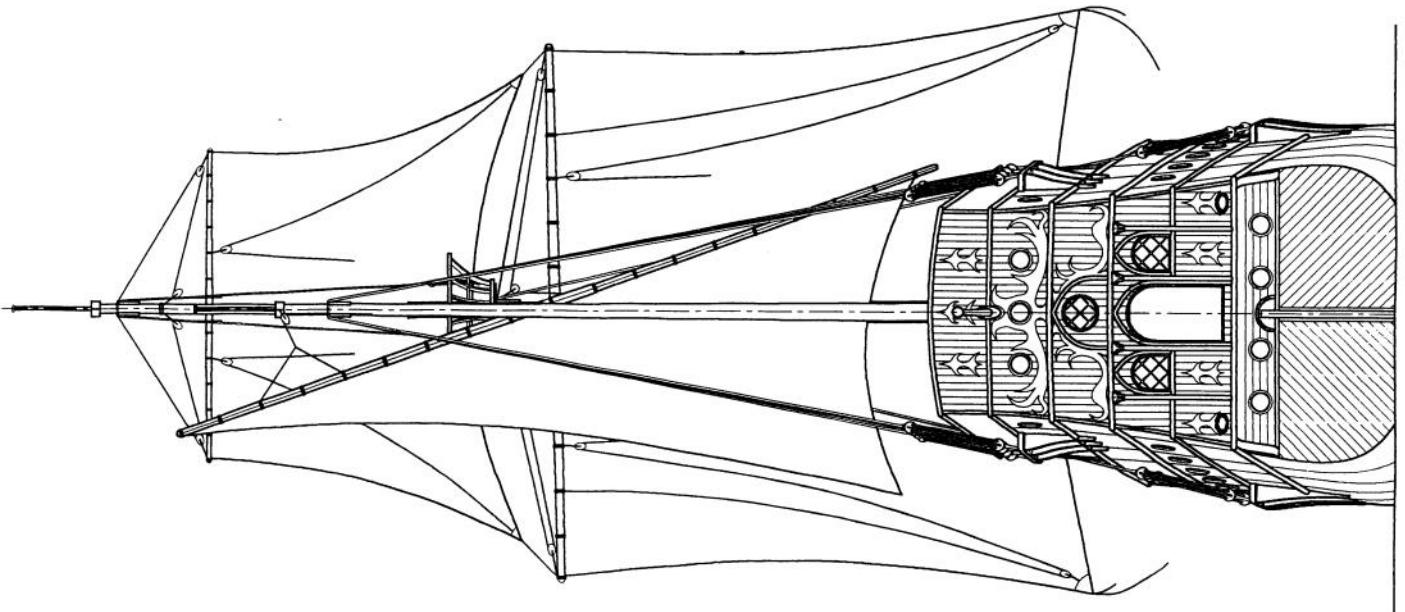
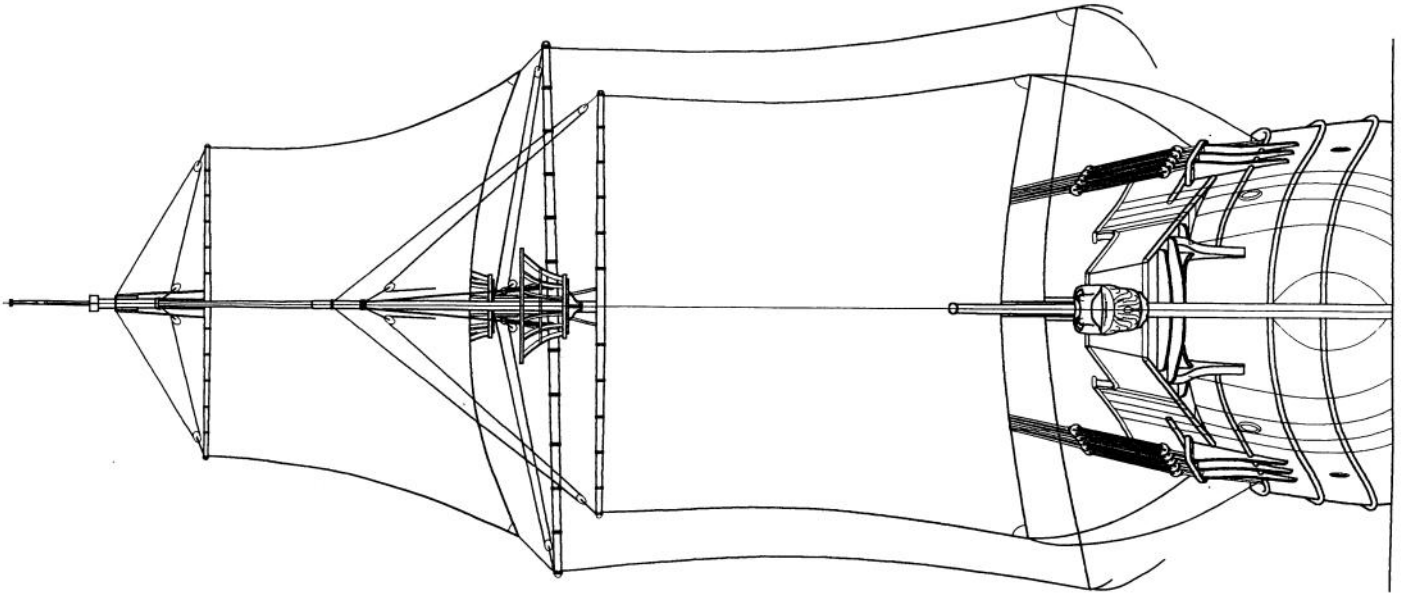


Navicula d.o.o., M.B. 1170392, Molunat 73, 20219 Dubrovnik - Croatia

Fax: +385 (0)20 358 110, tel: +385 (0)20 358 108, e-mail: navicula@vip.hr, info@karaka.info, www.karaka.info



Name of ship: **Karaka**
Port of registry: **Dubrovnik, Croatia**
Call sign: **9AA2001**
Year of launch: **2004 Betina**
Length over all (LOA): **30,9m**
Length between (LBP): **24m**
Breath: **7,5m**
Draught: **2,6m**
Capacity: **215** passenger
Speed: **10,5** knots
Gross tonnage: **199BT**
Net tonnage: **70 NT**
Masts: **3** peaces
Height of mid mast above water line: **~ 27m**
Fresh water tank: **6000** liters
Fuel oil tank: **6000** liters
Black water tank: **3000** liters
Gray water tank: **2000** liters
Engine output: **2 x Caterpillar 3306B 216 KW**
Generator 1: **Caterpillar 65 KW**
Generator 2: **Mase Yanmar 10 KW**
AC unit: **Condaria**
Radar, echo-sounder, GPS: **Simrad**
Auto pilot: **Robertson**

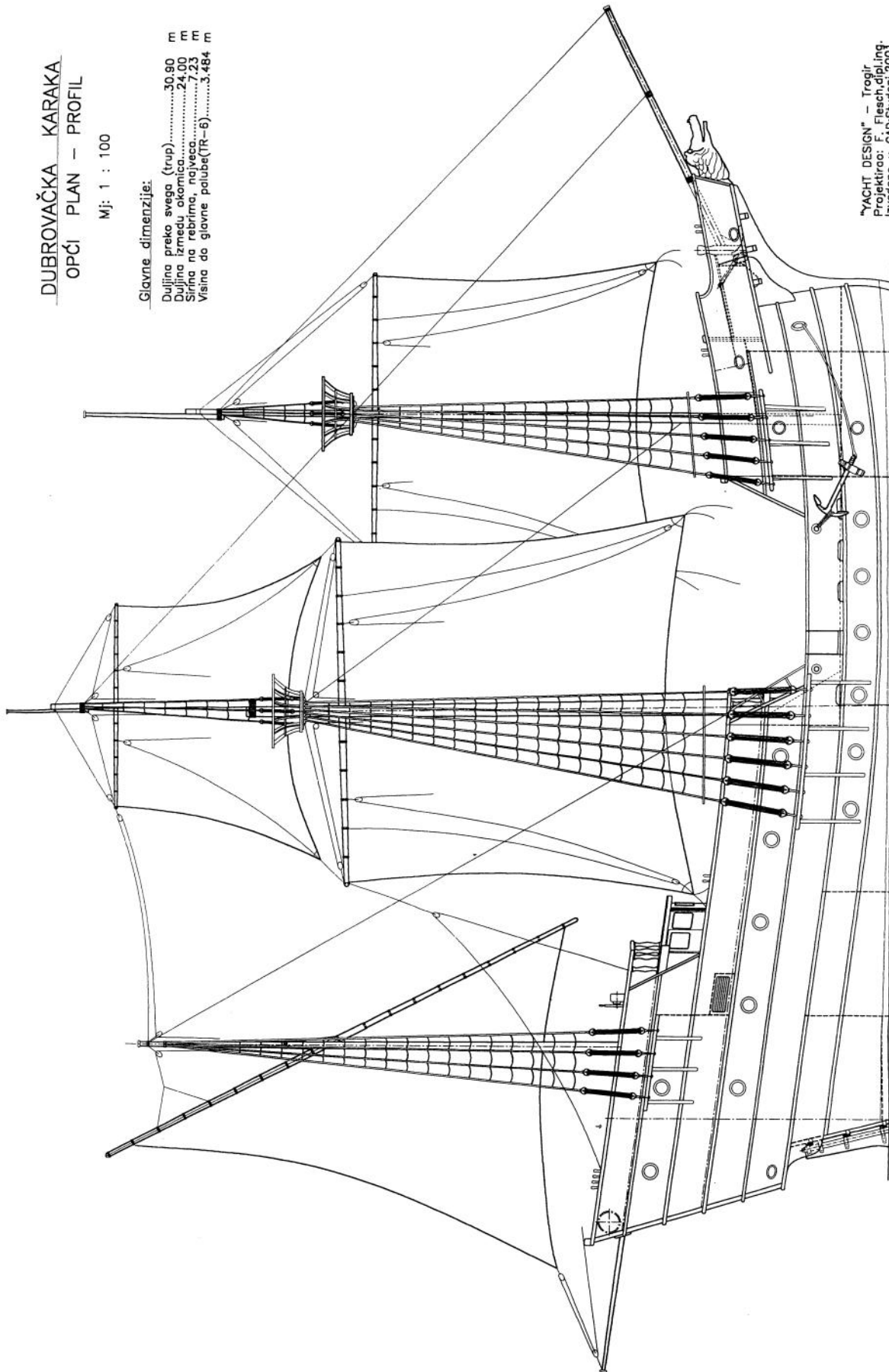


DUBROVAČKA KARAKA
OPĆI PLAN – PROFIL

Mj: 1 : 100

Glavne dimenzije:

Dužina preko svega (trup).....	30,90	m
Dužina između okornica.....	24,00	m
Širina na rebrima, najveća.....	7,23	m
Visina do glavne palube (TR-6).....	3,484	m



"YACHT DESIGN" – Trogir
Projektirao: F. Flesch, dipl. ing.
Izvedeno u CAD: Studeni, 2001
Nacrt br. 1/1